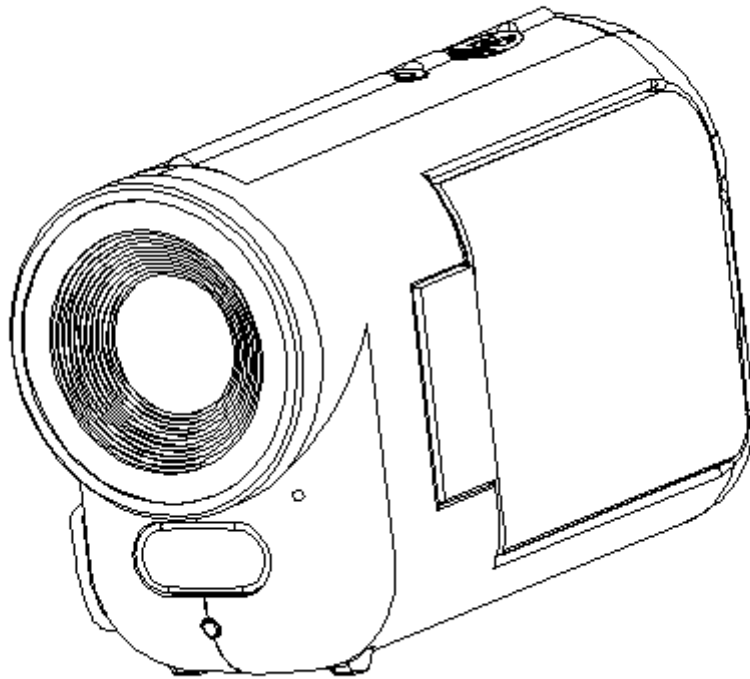


Mini Digital Video Camera



User's Manual

Table of Contents

1. Introducing the Camera	
(a) System requirements.....	01
(b) Features.....	01
(c) Unpacking the video camera.....	02
(d) About the camera.....	02
(d1) Front View.....	02
(d2) Top View.....	03
(d3) Bottom View.....	03
(d4) Back View.....	04
(d5) Rear View.....	04
(d6) TFT View.....	05
(d7) Button description.....	06
2. Getting started.....	07
(a) Inserting an SD Card.....	07
(b) Inserting the batteries.....	08
3. Snapshot Mode.....	09
a.) List of Function 1.....	10
b.) List of Function 2.....	11
4. Video Mode.....	12
a.) List of Function.....	13

5. Playback Mode.....	14
6. Tool Menu.....	15
7. Connecting to Computer and TV.....	16
8. PC CAM function.....	17
9. Mass Storage Mode.....	17
10. Troubleshooting.....	18

1. Introducing the camera

Read this section to learn about the features and functions of the video camera. This chapter also covers system requirements, package contents, and descriptions of the hardware components.

(a) System requirements

The video camera requires a PC with the following specifications:

- Windows XP/2000/ME/98SE operating system
- Intel Pentium III 500MHz CPU or higher
- Standard USB 1.1 port or higher
- 4x speed CD-ROM drive or higher
- At least 200MB of available disk space

(b) Features

The video camera offers a variety of features and functions including:

- Digital camcorder
- Digital camera (max 12 Mega pixels)
- PC Camera
- White LED light
- Support SDHC Card
- Photo sticker function

Additionally, the camera also features 4X digital zoom, USB mass storage, and a SD card reader.

(c) Unpacking the video camera

The following items should be present in the package. If any item is missing or appears damaged, contact your supplier immediately.

Items:

Video camera

USB/AV cable

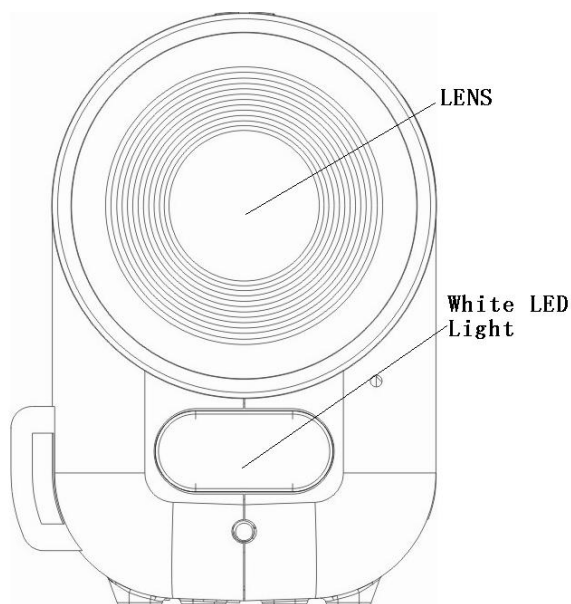
CD-ROM (PC CAM Driver)

User Manual

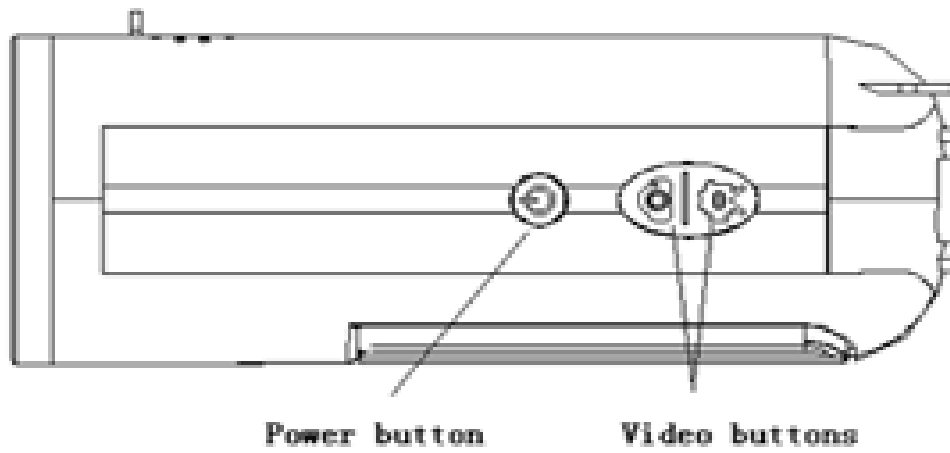
(d) About the camera

Refer to the following illustrations to familiarize yourself with the buttons and controls of this video camera.

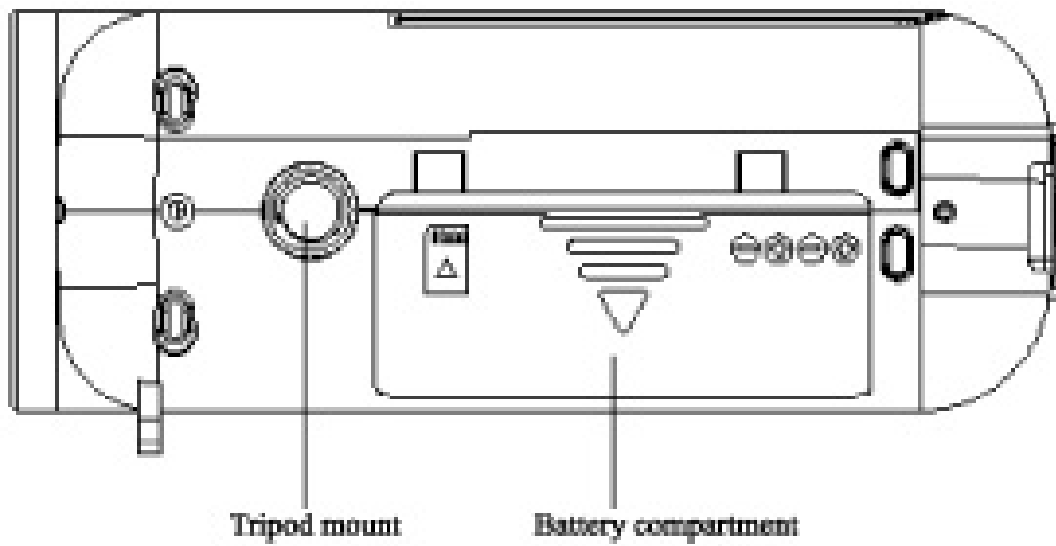
(d1) Front View



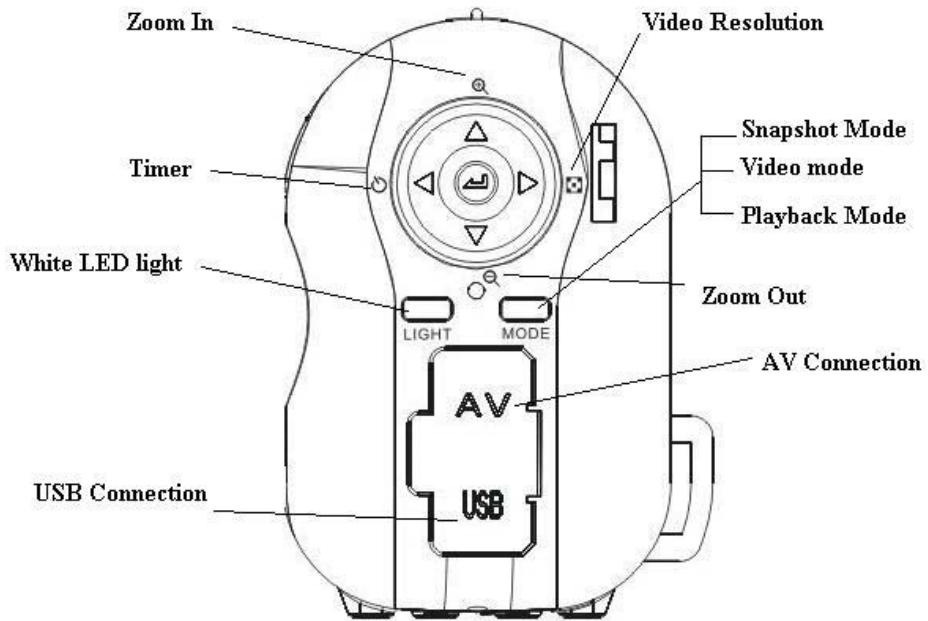
(d2) Top View



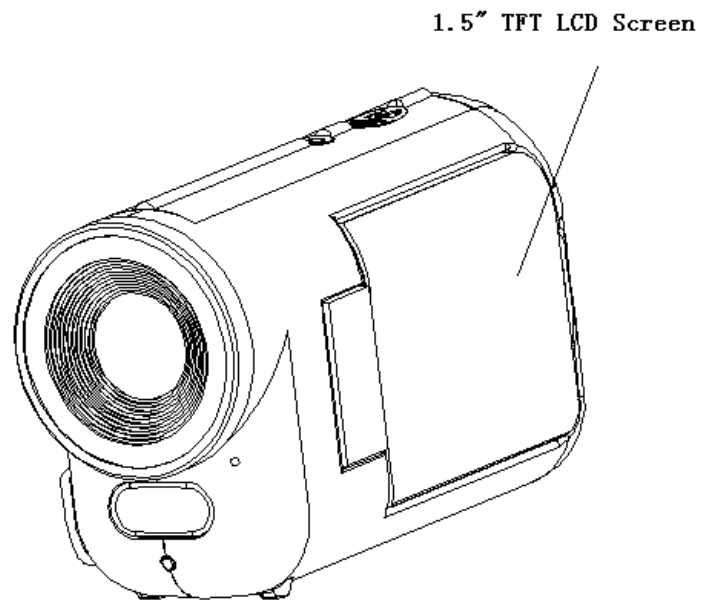
(d3) Bottom View



(d4) Back View

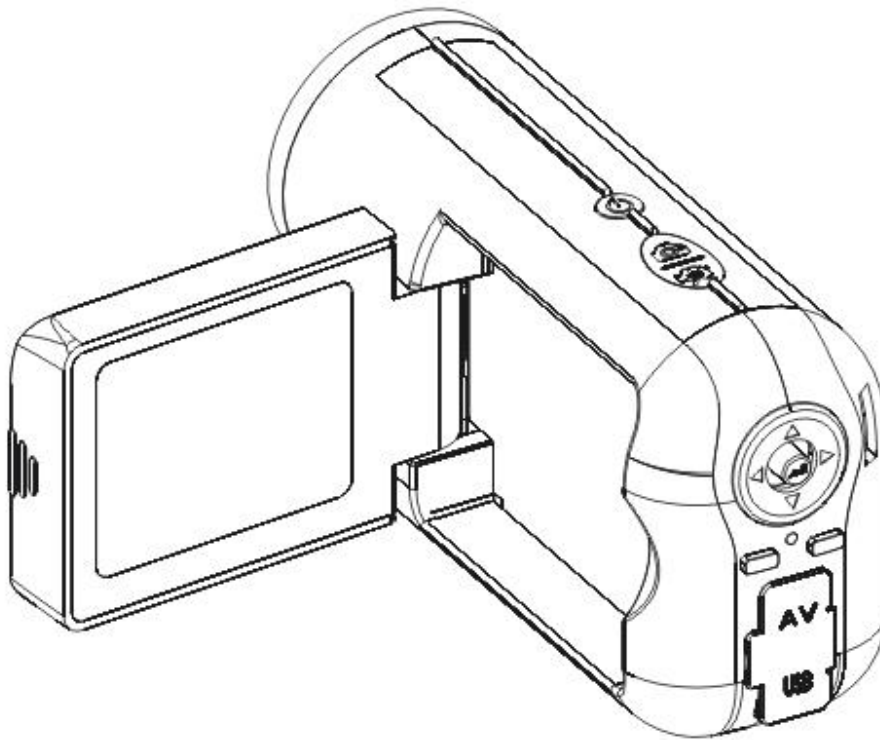


(d5) Rear View





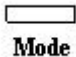
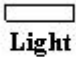


(d6) TFT View

TFT screen is 90 degrees



(d7) Button description

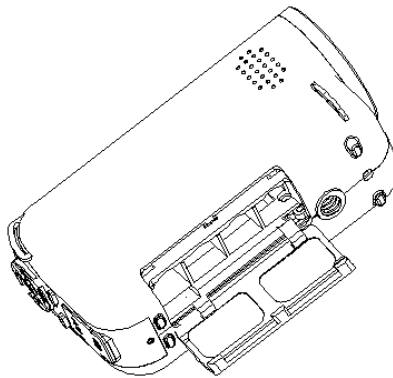
Button	Name	Function
	Power button	Press and hold to turn power on/off
	Video and Snapshot button	Press to take picture or video
	Four directional navigation key	Left for Timer Right for Resolution Up for Zoom In Down for Zoom Out
	"OK" button	To confirm settings
	Mode button	Press to enter Snapshot, Movie and Playback Mode
	Light button	Press to able White LED Light

2. Getting started

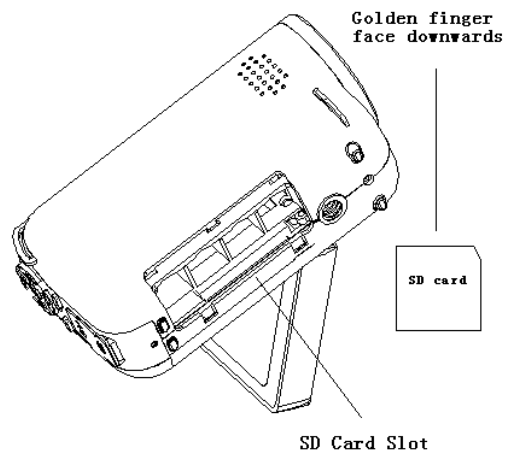
Read this section to learn how to start using the video camera. This section covers basic functions such as switching on, inserting the battery and memory cards, and configuring preliminary settings. See later chapters for advanced functions.

(a) Inserting an SD Card

(a1) Open the battery compartment as shown:
(Take note of the camera direction)



(a2) Insert an SD card as shown. Make sure the gold contacts are facing away downwards.
(Take note of the camera direction)



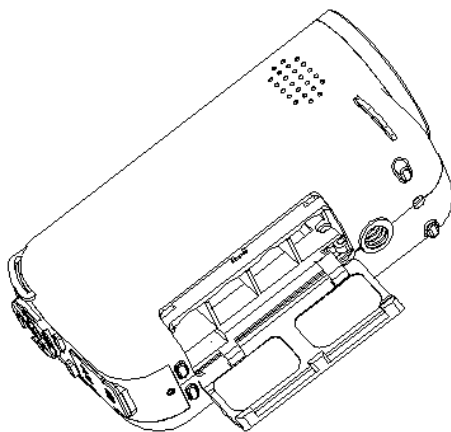
(b) Inserting the batteries

This video camera is designed to use four AAA batteries. Only use the battery supplied or similar battery recommended by the manufacturer or your dealer.

Note: Install the batteries exactly as described here. Ensure that the polarity of the batteries is correct. Installing the batteries incorrectly could cause damage to the camera and possibly start a fire.

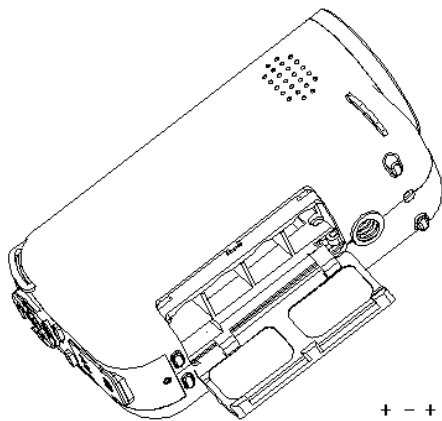
(b1) Open the battery compartment.

(Take note of the camera direction)



(b2) Insert the batteries as shown.

(Take note of the camera direction)



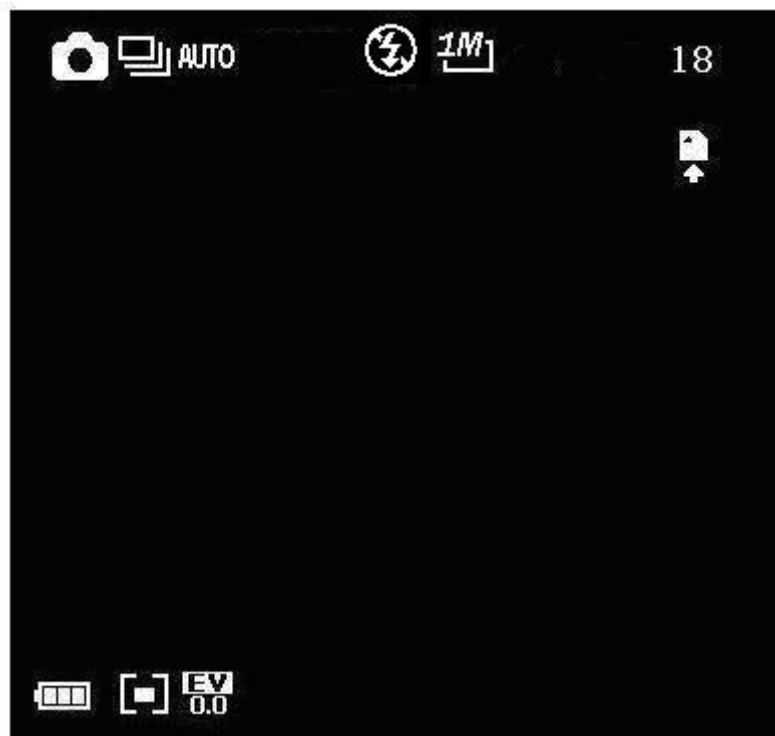
+ - + -
From left to right

3. Snapshot Mode







Read this section to learn all function for Snapshot Mode:

To take still image:

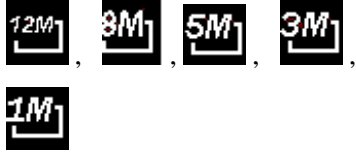




1. Open Display Screen and press Power button
(See Chapter 1.(d7) for correct button)
2. Default mode is Snapshot Mode
3. Locate your subject using the Display Screen.
4. Press the Video and Snapshot button to start image taking
(See Chapter 1.(d7) for correct button)
5. Below Diagram shows each logo and list of functions



a.) List of Function 1

Logo	Mode	Function
	Snapshot	Press Video and Snapshot Button to take still images.
	Driver Mode (Off, Self-Timer 2S, Self-Timer 10S, Burst)	Camera hold for max 10S and start taking still images
	White Balance (Auto, Daylight, Cloudy, Fluorescent, Tungsten)	Choose for different environments
	Metering (Center, Multi, Spot)	This is to test light sources
	Exposure	This is to lighten dark environment
	Flash (Off, Auto, On)	White LED for Night Snapshot

b.) List of Function 2

Logo	Mode	Function
	Resolution 4000 x 3000 3264 x 2448 2592 x 1944 2048 x 1536 1280 x 1024	Choose different Resolution for Still Images
	Quality (Super Fine, Fine, Normal)	Enhance Image Quality
	SD Card	Slot in SD Card, Picture will be shown
	Battery Status (Full, Half, Low and Empty)	Status shown on TFT Screen
	Number of images available	Stated available number of images can be taken
Effect	Other setting not displayed on TFT (Normal, B&W, Sepia, Negative, Red, Green, Blue)	Color background of the Image can be selected
Photo Frame	OFF, Frame A, Frame B, Frame C, Frame D	Photo Sticker Function
Date Stamp	Other setting not displayed on TFT (Off, Date, Date & Time)	Taking images with Date stated

Notes:

- The size and quality affect the number of images taken
- High resolution and high quality settings will result in larger files, and therefore shorter number of images.
- To zoom in your subject, press Navigation key “Up”, to zoom out, press Navigation key “Down” You can also press Navigation key “Left” directly to change Driver Mode. Press Navigation key “Right” directly to change Resolution Mode.
- To enable White LED light, please press “Light” Button. To enter playback mode please press “Mode” Button twice.
- You can press Navigation key “Left” to exit the menu

4. Video Mode









Read this section to learn all function for Video Mode:

To start Video Recording with your camera:

1. Open the Display Screen and press the Power Button
(See Chapter 1.(d7) for correct button)
2. Press Mode button to Video Mode
(See Chapter 1.(d7) for Mode button)
3. Locate your subject using the Display Screen
4. Press the Video and Snapshot button to start Video Recording
(See Chapter 1.(d7) for correct button)
5. Below Diagram shows each logo and list of functions



a.) List of Function

Logo	Mode	Function
	Video Recording	Press Video and Snapshot Button to start video recording
	White Balance (Auto, Daylight, Cloudy, Fluorescent, Tungsten)	Choose for different environments
	Metering (Center, Multi, Spot)	This is to test light sources
	Video size (320 x 240),QVGA (640 x 480)VGA (720 x 480),D1	This is for Size of Video to be selected
	Frame Rate	The speed for Movie to run
	Light (Off, Auto, On)	White LED for Night Video Recording
	SD Card	Slot in SD Card, Picture will be shown
	Battery Status (Full, Half, Low and Empty)	Status shown on TFT Screen

Notes:

- The size and quality affect the length of each video recording
- High resolution and high quality settings will result in larger files, and therefore shorter length of recording.
- To zoom in your subject, press Navigation key “Up”, to zoom out, press Navigation key “Down” You can also press Navigation key “Left” directly to change Movie Size.
- To enable White LED light, please press “Light” Button. To enter playback mode please press “Mode” Button twice.
- You can press Navigation key “Left” to exit the menu

5. Playback Mode

Read this section to learn all function for Playback Mode:

To playback:

1. Open the Display Screen and press the Power button

(See Chapter 1.(d7) for correct button)

2. Press Mode Button twice for Playback of Still images and Video

(See Chapter 1.(d7) for Mode button)

Press “OK” to enter function selection

Mode	Selections	Function
Lock	Lock/Unlock one Lock All Unlock All	Choose to Lock/Unlock pictures or video
Delete	One All	Choose to delete pictures or video
Slide Show	Start Interval Repeat	Choose for slide show of pictures
Effect	B&W, Sepia, Negative, Red, Green, Blue, Binarize, Sunset, Warm, Cold	Adding color background to different pictures and video
Rotate	Rotate Save Back	Choose to rotate pictures
Resize	2048 x 1536 1024 x 768 640 x 480	Choose to resize pictures
Voice Memo	Add Delete	Choose to add voice to pictures or video
Start-up Image	Set Cancel	Choose for opening of camera

Notes:

- Playback Mode can be activated on both Snapshot and Video recording Mode

6. Tool Menu

Read this section to understand Tool Menu functions:

To enter Tool Menu:

1. Open the Display Screen and press the Power button
(See Chapter 1.(d7) for correct button)
2. Press Navigation key “OK” then Navigation key “Right” to enter Tool Menu

a.) List of Function

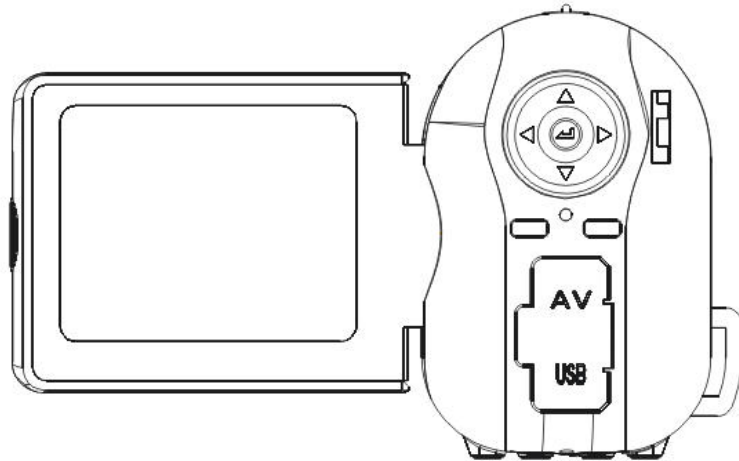
Name	Selection	Function
Sounds	Shutter, Start-up, Beep, Volume	Select the best Sound for the camera
Light	Off, Auto On	White LED for Night Vision
Auto Review	Off, 1sec, 3sec	Auto Playback
Power Frequency	50Hz, 60Hz	For different countries standard
Power Save	3min, 10min	To save power, auto shutdown
Date & Time	YYYY/MM/DD	To insert correct Date & Time
Language	English, Chinese, Spanish, Italian, German	To select Menu language
TV Out	NTSC, PAL	For different countries standard
USB	MSDC, PCCAM	Webcam or Mass Storage features
Start-up Image	Off, System, My image	Opening for camera Power on
Format	Yes, No	To clear memory
Reset All	Yes, No	Back to factory default

Tool Menu is available in all three Modes (Snapshot, Video and Playback)

7. Connecting to Computer and TV

Read this section to understand connection to Computer and TV

Connect the video camera to a computer with the USB/AV cable provided.



Find suitable socket for USB or AV cable as above.

8. PC CAM function

Read this section to learn how to use PC CAM function.

1. Install driver before plug in
2. Open the Display Screen and press the Power button
(See Chapter 1.(d7) for correct button)
3. Connect to PC using USB cable, press “Mode” button after connecting
(See Chapter 1.(d7) for Mode button)
4. You will see the icon as below on your Display Screen



5. Run Amcap.exe and enter preview mode.

Now PC CAM mode is enable, enjoy video chatting with your friend.

9. Mass Storage Mode

Read this section to learn how to use Mass Storage Mode function.

1. Open the Display Screen and press the Power button
(See Chapter 1.(d7) for correct button)
2. Plug camera to PC using USB cable, an icon as below will be shown on your Display Screen



3. Mass Storage Mode is enable now, you can use the memory to store pictures or videos.

Please make sure there are pictures or video stored before entering.

10. Troubleshooting

Read this section to learn how to troubleshoot the camera.

1	Question: My camera does not respond when I pressed the Power button.
	Answer: Check your batteries; see if it is inserted with correct position. If it is inserted correctly, please change new batteries.
2	Question: My camera suddenly shut down.
	Answer: Check if Auto shutdown function is enabled. If not, please change new batteries.
3	Question: My camera is not able to take still images or video recording.
	Answer: Check if SD card memory is fully occupied, if not please format your SD card on PC before inserting to camera.
4	Question: Blur image appeared when using this camera
	Answer: This camera does not support Anti-shake function. It is often not advisable to shake the camera when image is taken.
5	Question: My SD card is not workable with this camera
	Answer: Write protect key on the SD card is enable, please unlock it before inserting. Always format the SD card on PC before using.
6	Question: PC Cam function is not usable.
	Answer: Install the Driver using CD in the package before plug in to the PC. Do not plug in before Driver Installation.
7	Question: My camera is not able store images or video
	Answer: Please take note that this camera does not have built in flash memory, media such as SD card is required.
8	Question: I am not able to turn off my camera
	Answer: Please press hold of Power button for at least 3 seconds in order to completely shut down the camera